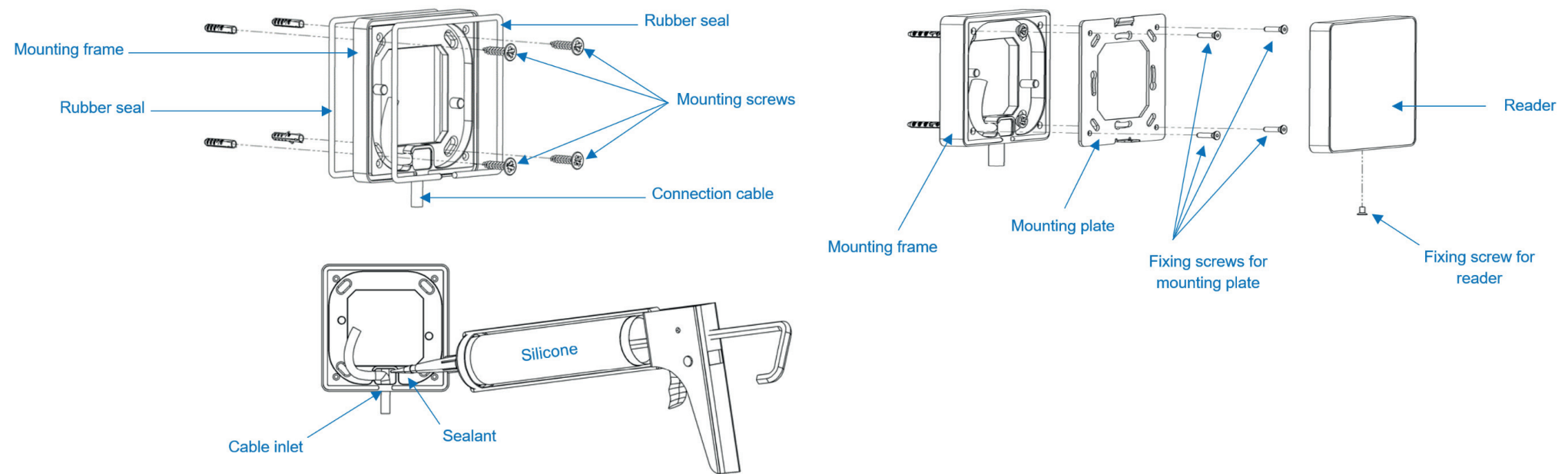


5.4. Installation directly on the wall



6. SETTINGS

By default, the reader is delivered ex-works with the following settings:

- + OSDP: 9600 baud
- + Address: 0
- + Terminating resistors: off

The reader can be configured with the Secustos Seco app or with the sesamsec specific USB cable. Refer to the Secustos user manual for detailed settings information.

7. EU COMPLIANCE

Hereby, sesamsec GmbH declares that the following radio equipments are in compliance with Directive 2014/53/EU:

- + Secustos SQ80 K LEGIC
- + Secustos SQ80 LEGIC

The full text of the EU declarations of conformity is available at the following internet address: sesamsec.com/approvals

8. DISCLAIMER

sesamsec reserves the right to change any information or data in this document without prior notice.

sesamsec declines all responsibility for the use of this product with any other specification but the one mentioned above. Any additional requirement for a specific customer application has to be validated by the customer himself at his own responsibility. Where application information is given, it is only advisory and does not form part of the specification.

Disclaimer: All names used in this document are registered trademarks of their respective owners.

sesamsec GmbH
Finsterbachstrasse 1 · 86504 Merching · Germany
P +49 8233 79445 0 · F +49 8233 79445 20
info@sesamsec.com
sesamsec.com

© 2023 – sesamsec GmbH – DOC-IGS80-01 – Secustos SQ80
installation guide – DocRev01 – 06/2023



INSTALLATION GUIDE

Secustos SQ80
Secustos SQ80 K
Secustos SQ80 K LEGIC
Secustos SQ80 K LF HF
Secustos SQ80 LEGIC



1. SHORT PRODUCT DESCRIPTION

Secustos SQ80 is a product family of access control readers based on RFID technology. The readers give the user the possibility to read simultaneously more than 60 RFID technologies from low (125 kHz) and high (13.56 MHz) frequency bands. Many mobile use cases can be facilitated with their NFC and, optionally, BLE functions, like authentication and data communication.

All readers are for both indoor and outdoor use in environmental conditions according to the respective product data sheets and installation instructions given in this installation guide and in the Secustos SQ80 series user manual.

2. SYMBOLS

Warning: This information must be followed by the user, otherwise a damage of the device may occur.

Note: This information may facilitate the installation.

3. SAFETY INFORMATION

This installation guide gives a short description of the installation options for your product. However, this installation guide does not replace the user manual! Before unpacking and installing the product, the user manual must be read carefully and understood.

Unpack the product carefully and do not touch any sharp edges or corners, or any sensitive components on the product. If necessary, wear safety gloves.

Make sure that all tools and components required for the installation are available and appropriate.

Make sure that the installation site is appropriate for the installation of the reader.

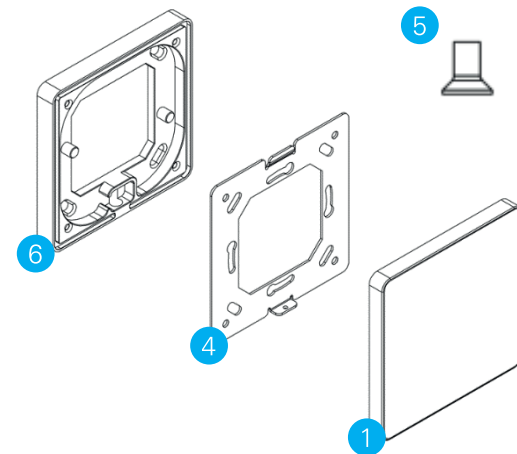
Check that the mounting location is equipped with appropriate safety installations and devices, like a smoke alarm or fire extinguisher.

Make sure that there is no voltage on the wires and check that power is turned off by testing the power supply of each wire.

Make sure that the product is installed in accordance with local electrical standards and regulations and observe general safety measures.

Refer to the Secustos user manual for detailed installation information.

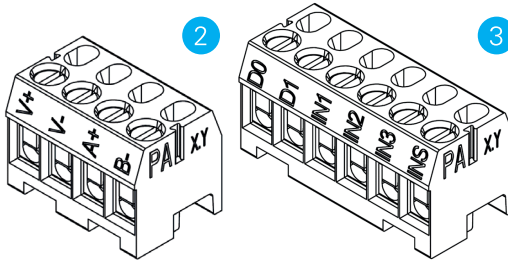
4. ASSEMBLY PARTS



Number	Description	Quantity
1	Secustos SQ80 reader	1
2	4-pin connector (X1)	1
3	6-pin connector (X1)	1
4	Mounting plate	1
5	Fixing screw	1
6*	Mounting frame (delivered with 4 screws)	1
n.a.*	Silicone	
n.a.*	Fixing screws for mounting plate	2-4**

* optional components

** depending on mounting configuration



5. INSTALLATION

5.1. Pin assignment

Power supply	
V+	Input voltage 6 – 28 V
V-	Ground

Data transfer	
A+	RS-485, cable length: max. 1000 m
B-	RS-485, cable length: max. 1000 m
D0	Wiegand D0, cable length: max 200 m*
D1	Wiegand D1, cable length: max 200 m*
IN1	Digital input 1, cable length: max 200 m*
IN2	Digital input 2, cable length: max 200 m*
IN3	Digital input 3, cable length: max 200 m*
INS	Digital input S (for external Sabotage switch), optional if sabotage button is not available on the reader, cable length: max 200 m*

Maintenance and configuration	
USB	4-pin USB connector, 1.25 mm pitch (for maintenance and configuration purposes only)

* Cable routing requirements:
Twisted pair cabling (D0/GND, D1/GND).

5.2. Cable information

Typical installation cables are:

JY(ST)Y 4x2x0.6 for distance between devices ≤ 25 m

JY(ST)Y 4x2x0.8 for distance between devices > 25 m

Alternatively, any other appropriate cables that meet the prerequisites of RS-485 installations and wirings can be used.

In case of long cables, voltage drops might lead to a breakdown of the readers. To prevent such malfunctions, it is recommended to wire the ground (V-) and input voltage (V+) with two wires each.

In addition, the installation cable used to connect the controller must contain a cable shield and/or a drain wire with PE connection.

The cable shield/drain wire may not be connected to the reader, but only to the controller. Otherwise, it could lead to a potential difference.

5.3. Installation with flush-mounted box

